

**OIL & GAS DEVELOPMENT COMPANY LIMITED
PROCUREMENT DEPARTMENT, ISLAMABAD
FOREIGN SECTION B**

(To be completed, filled in, signed
and stamped by the principal)

ANNEXURE 'A'

Material ROTARY TABLE SIZE 37-1/2"
Tender Enquiry No PROC-FB/CB/DRM-1822/2016
Due Date
Evaluation Criteria FULL

SCHEDULE OF REQUIREMENT

Sr No	Description	Unit	Quantity	Unit Price (FOB)	Total Price (FOB)	Unit Price C & F BY SEA	Total Price C & F BY SEA	Deviated From Tender Spec. If Any
1	ROTARY TABLE SIZE 37-1/2", STATIC LOAD CAPACITY 600 – 650 US TONS IP# D-375,C/W AS PER ATTCHED SPCIFICATION.OR EQUIVALENT.	Number	1					
2	LUGS, ROTARY. IP # 1312256 ASY ROTARY TABLE "NATIONAL OILWELL" MODEL 'D-375', 37-1/2" OPENING.COMPATIBLE WITH ITEM AT SR # 1.	Number	4					
3	MAT MOLDED (RIG MAT) 1-1/4" THICK FLEXIBLE, POLYURETHANE MAT MOLDED TO FIT THE ROTARY TABLE. IP# 4804,4805 ASY ROTARY TABLE "NATIONAL OILWELL" MODEL 'D-375', 37-1/2" OPENING.COMPATIBLE WITH ITEM AT SR # 1.	Number	1					
4	BUSHING ASSY. MASTER DENCON HMB HINGED PIN DRIVE IP # 2700-1, 2700II ASY ROTARY TABLE "NATIONAL OILWELL" MODEL 'D-375', 37-1/2" OPENING.COMPATIBLE WITH ITEM AT SR # 1.	Number	1					
5	BOWL, DENCON # 01 FOR 13-3/8" AND 11-3/4" PIPE. IP# 2708 ASY ROTARY TABLE "NATIONAL OILWELL" MODEL 'D-375', 37-1/2" OPENING.COMPATIBLE WITH ITEM AT SR # 1.	Number	1					
6	BOWL, DENCON # 02 FOR 10-3/4" AND 9-5/8" PIPE. IP# 2707 ASY ROTARY TABLE "NATIONAL OILWELL" MODEL 'D-375', 37-1/2" OPENING.COMPATIBLE WITH ITEM AT SR # 1.	Number	1					
7	BUSHING, SPLIT CASING, DENCON 37-1/2" X 20" SCB. IP# 3316-1, 3316-1 ASY ROTARY TABLE "NATIONAL OILWELL" MODEL 'D-375', 37-1/2" OPENING.COMPATIBLE WITH ITEM AT SR # 1.	Number	1					
8	BUSHING, KELLY, DENCON 27RHP C/W. WRENCH LESS, WIPER ASSY FOR 5-1/4" HEX KELLY. IP# 2435-52H, 243552H ASY ROTARY TABLE "NATIONAL OILWELL" MODEL 'D-375', 37-1/2" OPENING.COMPATIBLE WITH ITEM AT SR # 1.	Number	1					
9	SPROCKET, 2" PITCH, 2 ROW, 28 TEETH WITH HUB & KEY TO BE FITTED ON PINION SHAFT OF ASY ROTARY TABLE "NATIONAL OILWELL" MODEL 'D-375', 37-1/2" OPENING.COMPATIBLE WITH ITEM AT SR # 1.	Number	1					

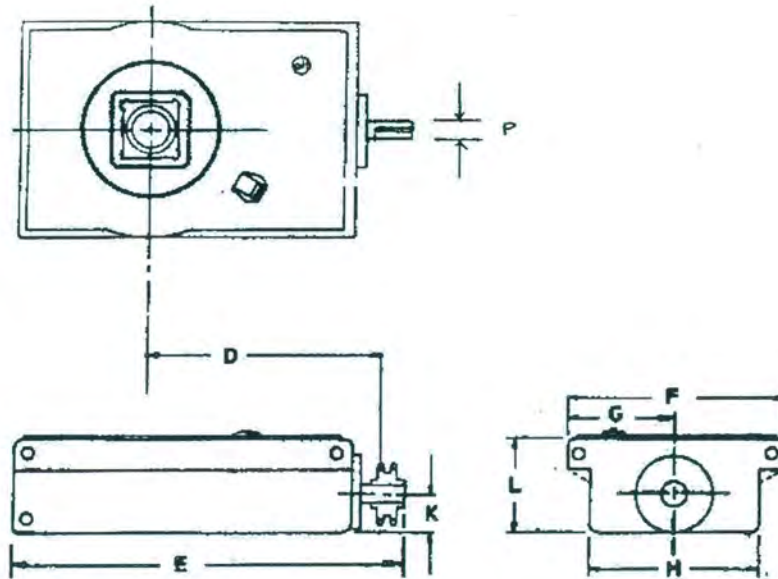
Note: NOTE: PURSUANT TO TENDER CLAUSE NO. 2.2 11.4 13 & 35.3.2 BID (s) AN FRONT BID BOND FOR AMOUNTING TO US\$ 2400.00 (US DOLLAR TWO THOUSAND FOUR HUNDRED ONLY) MUST BE SUBMITTED WITH THE TECHNICAL BID

GENERAL TERMS & CONDITIONS:

1. THE REQUIRED ROTARY TABLE MUST BE ACCORDING TO THE DRAWINGS GIVEN BELOW TO EXACTLY FIT INTO THE RIG FLOOR OUTFIT.
2. BID FROM ORIGINAL EQUIPMENT MANUFACTURER (OEM) OR AUTHORIZED DEALER/ DISTRIBUTOR OF AN OEM WILL BE ACCEPTED ONLY.
3. THE OFFERED ROTARY TABLE, BUSHINGS AND BOWELS MUST BE MANUFACTURED ACCORDING TO API-7K SPECIFICATIONS AND MUST BE MANUFACTURED BY MANUFACTURER HAVING VALID API-7K CERTIFICATE. A COPY OF VALID API-7K CERTIFICATE IN R/O OF THE OFFERED MANUFACTURER MUST BE PROVIDED ALONG WITH THE BID.
4. IN CASE IF THE BIDDER IS AN AUTHORIZED DEALER/ DISTRIBUTOR OF THE OEM THEN BIDDER MUST PROVIDE OEM ORIGINAL AUTHORITY LETTER ALONG WITH THE BID STATING THAT OEM HAS AUTHORIZED THE BIDDER TO OFFER THE ROTARY TABLE (MENTIONING MAKE, MODEL AND SIZE) AND SUCH AUTHORITY LETTER MUST EXPLICITLY MENTION OGDCL TENDER ENQUIRY NUMBER.
5. THE BIDDER WILL PROVIDE ADEQUATE AND RELEVANT TECHNICAL LITERATURE AND DETAILED DIMENSION DRAWINGS FOR THE OFFERED ROTARY TABLE ALONG WITH THE BID TO FACILITATE TECHNICAL EVALUATION. OEM DESCRIPTION AND OEM PART NUMBERS MUST BE PROVIDED FOR ALL ITEMS INCLUDING ACCESSORIES. MOREOVER, BREAK-UP OF COST SHOULD BE PROVIDED IN THE FINANCIAL BID MENTIONING ITEM-WISE COST AGAINST EACH ITEM.
6. THE BIDDER WILL PROVIDE WITH THE BID THE LAST 05 YEARS SALE RECORD FOR SUCH HOISTING / ROTARY EQUIPMENT USED AT DRILLING/ WORK-OVER RIGS MADE BY THE BIDDER TO OGDCL OR OTHER DRILLING COMPANIES WITH ADDRESS, FAX NUMBER AND TELEPHONE NUMBER OF THE CLIENTS.
7. THE BIDDER SHOULD PROVIDE ONE YEAR WARRANTY FROM THE DATE OF INSTALLATION/ COMMISSIONING OR 18 MONTH FROM DATE OF SHIPMENT AGAINST DEFECTS IN MATERIAL, WORKMANSHIP AND BAD PERFORMANCE OF THE SUPPLIED ROTARY TABLE. IN CASE OF ANY FAULT, THE SUPPLIER WILL BE RESPONSIBLE TO IMMEDIATELY REPAIR OR REPLACE THE FAULTY PART/ ASSEMBLY OR THE ROTARY TABLE FREE OF COST. SUCH WARRANTY MUST BE PROVIDED ALONG WITH THE BID.
8. BIDDER WILL CONFIRM THAT OFFERED ROTARY TABLE AND ACCESSORIES WILL BE BRAND NEW & UNUSED. SUCH CONFIRMATION MUST BE PROVIDED ALONG WITH THE TECHNICAL BID.
9. ONE SET OF OEM ORIGINAL OPERATION & MAINTENANCE MANUAL AND PARTS CATALOGUE (HARD COPY) WILL HAVE TO BE SUPPLIED ALONG WITH THE CONSIGNMENT.
10. DURING TECHNICAL / FINANCIAL EVALUATION ALL THE COMMITMENTS, CONFIRMATIONS AND REVISIONS AGREED BETWEEN OGDCL & THE BIDDER WILL BE CONSIDERED AS INTEGRAL PART OF SUBSEQUENT PROCUREMENT CONTRACT.
11. THE SUPPLIED ITEMS MUST BE BOXED & PACKED IN COMPACT MANNERS TO ENSURE SAFE TRANSPORTATION DURING SHIPMENT.

DIMENSION OF ROTARY TABLE

<u>Symbol</u>	<u>Dimension</u>	<u>Symbol</u>	<u>Dimension</u>
D	53- ¼"	K	12" - 13"
E	94" - 98"	L	26" - 29"
F	70" - 76"	P	4.9"
H	56" - 61"		



NOTE: ALL ABOVE GIVEN TERMS & CONDITIONS / TECHNICAL SPECIFICATIONS ARE THE INTEGRAL PARTS OF THE TENDER ENQUIRY.